

**CIVINTEC<sup>®</sup>**

**2.4" OLED**

**CRYSTAL KEYPAD**

SMART CARD & MOBILE KEY

ACCESS CONTROL OSDP READER



**2.4" OLED DISPLAY  
WITH KEYPAD**



**MOBILE KEYLESS  
ACCESS CONTROL**

BLE 5.0 & NFC



**PROXIMITY RFID SMART CARDS**

13.56MHz & 125KHz Dual  
Frequency with SAM



**VERSATILE INTERFACES**

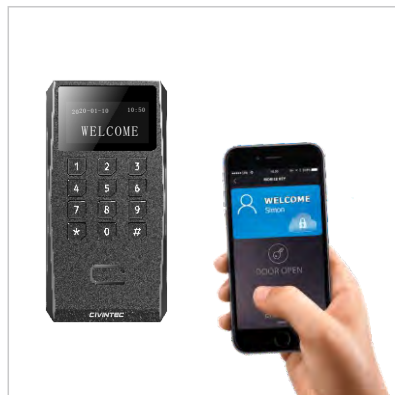
Wiegand  
RS485 (OSDP)



## ► Access Control Modes



■ Smart card



■ Mobile credential



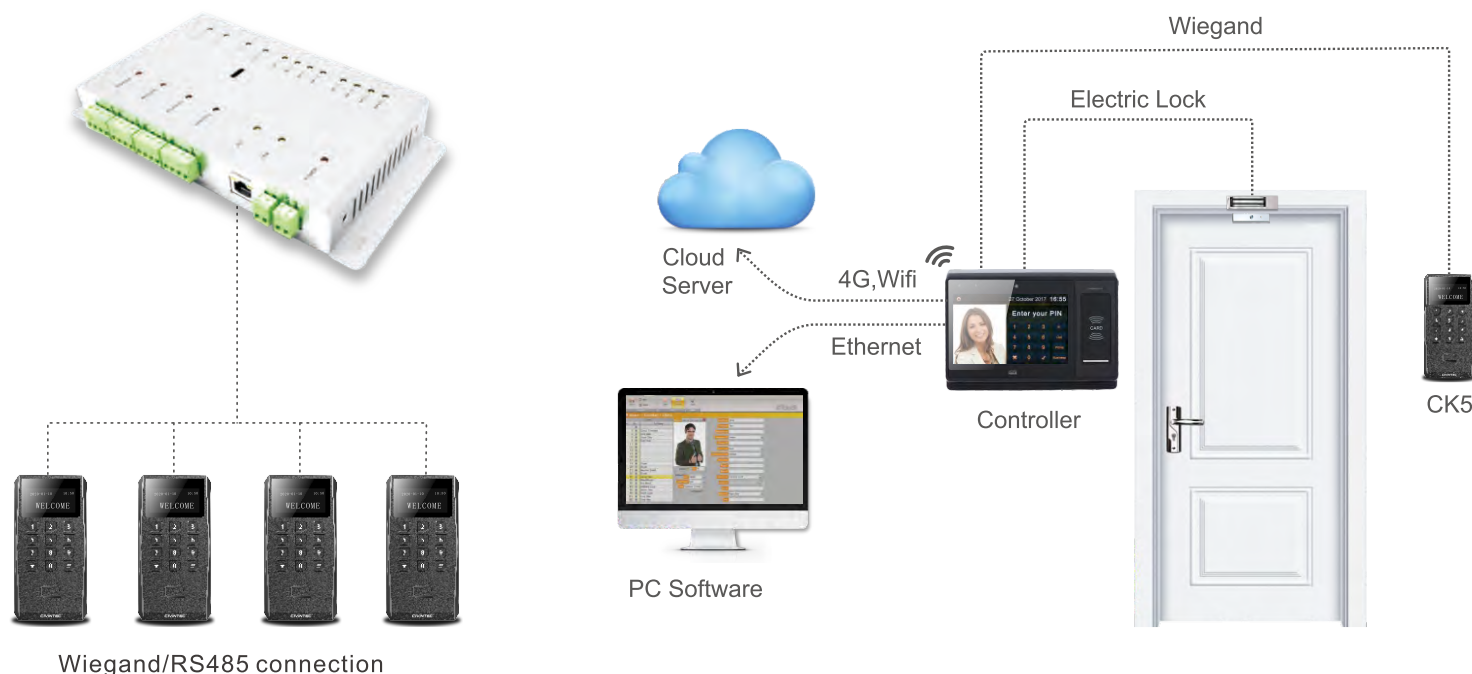
■ Pincode

CRYSTAL KEYPAD provides a multiple platform of RF-ID technologies and communication interfaces equipped with an OLED display and a mechanical keypad in a timeless design. CRYSTAL KEYPAD suite almost all kinds of applications and environments for indoor and outdoor installations and to the highest level of security.

CRYSTAL KEYPAD incorporates with several chip technology and communication interfaces standards. For access control systems supporting OSDP secure channel a credential transaction can be complete AES 128 encrypted secured during the card reading and transmitting process between the reader and the access control controller.

In addition to traditional radio frequency technologies such as 13,56MHz and 125KHz also BLE 5.0 and SAM AV2 are supported. This combination makes the product flexible for all kind of security applications and future technology requirements applicable for the security industry. The LED symbol indicates in combination with display text and buzzer sounds a user-friendly and clear information in real time for the user.

CRYSTAL KEYPAD is tamper protected with a mechanical switch which allows for indication both on attempts of break off and manipulation of the reader.



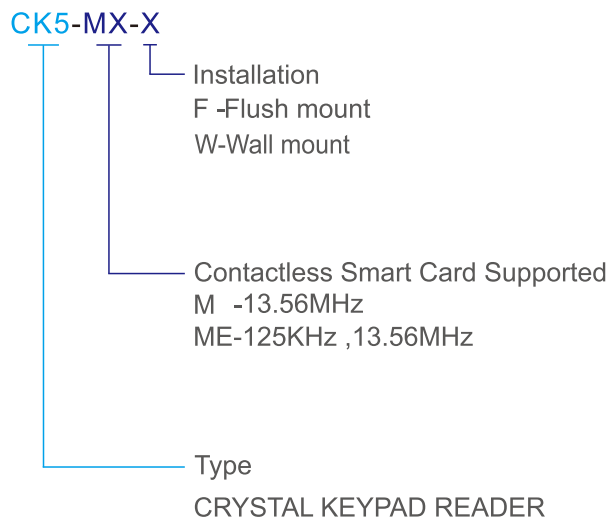
Wiegand/RS485 connection

## ► SPECIFICATION

<b>CRYSTAL KEYPAD</b>	<b>CK5-MX-X</b>
ISO-protocol	13.56MHz ISO14443A/B, ISO15693, ISO18092 NFC, 125KHz
Contactless cards	- EM Prox, EM4100, EM4200 - Mifare®S50/S70, Ultralight®(C), DesFire® EV1/EV2, Mifare® Plus S,X - NFC forum tag T2T, T4T
Mobile ID	ISO18092 NFC, BLE 5.0
Secure Access Module	ISO7816 Standard Mini Card Slot, MIFARE SAM AV2
Display	2.4" OLED, 128×64 white characters on black background
Keypad	12 digit keypad in 4 rows of 3 keys in each row with white LED backlit, intensely adjustable; Keypad output format Weigand 4bit, Weigand 8bit (Dorado), Weigand 26bit & OSDP ASCII format
Communication Interface	RS485, OSDP, Weigand 24-1024
Indicator	Four wire control for LED and buzzer, Symbols LED with Red, Green, yellow (bio-color) or Mixed color Status Indicators, Buzzer
GPI/O	2 configurable GPIO
Tamper Alarm	Built-in mechanical tamper switch which allows for indication both break off protection and opening of the reader
Power supply	9-30V DC
Ingress Protection Classification	IP65
Housing dimensions	165mm (H) * 84mm (W) * 20mm (T)
Operating temperature	-40°C+60°C, With thermostat controlled embedded heater
Humidity	0%-90% RHNC (Relative Humidity No Condensation)
Certification	CE, RoHS

\*The specifications are subject to change without notice.

## ► ORDER CODE



## ► SOFTWARE TOOL & CONFIG CARD

Config Software Tool & Configuration Card, Installation Card make users easily set the reader and set the secure channel encryption keys.

